

RCE Technical Data Electric Forklift Truck

RCE 25/RCE 25 Li-Ion

RCE 30/RCE 30 Li-Ion

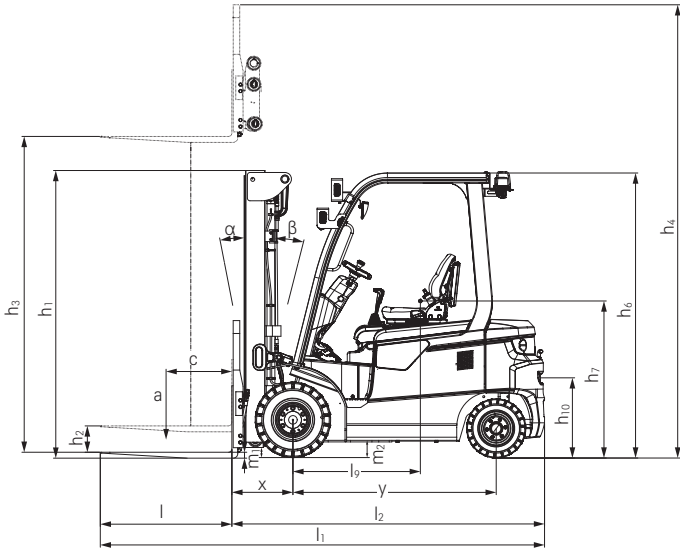
RCE 35/RCE 35 Li-Ion



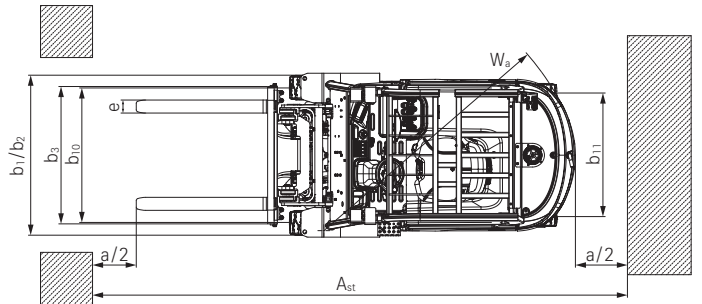


				STILL	STILL	STILL	STILL	STILL	STILL	
Features	1.1	Manufacturer								
	1.2	Manufacturer's type designation		RCE 25	RCE 25 Li-Ion	RCE 30	RCE 30 Li-Ion	RCE 35	RCE 35 Li-Ion	
	1.2.1	Manufacturer type number		5442	5443	5450	5451	5452	5453	
	1.3	Drive		Electric	Electric	Electric	Electric	Electric	Electric	
	1.4	Operation		Seated	Seated	Seated	Seated	Seated	Seated	
	1.5	Load capacity/load	Q	kg	2500	2500	3000	3000	3500	3500
	1.6	Load centre distance	c	mm	500	500	500	500	500	500
	1.8	Load distance	x	mm	464	464	504	504	509	509
	1.9	Wheel base	y	mm	1545	1455	1785	1785	1785	1785
Weights	2.1	Service weight (incl. battery)		kg	4202	3967	4970	5050	5430	5500
	2.2	Axle load, laden	front/rear	kg	5890/812	5651/816	7055/855	7121/929	7899/1031	7930/1070
	2.3	Axle load, unladen	front/rear	kg	1792/2410	1495/2472	2416/2564	2452/2598	2395/3035	2430/3068
Wheels	3.1	Tyres			Superelastic	Superelastic	Superelastic	Superelastic	Superelastic	
	3.2	Tyre size	front		23X9-10	23X9-10	28X9-15	28X9-15	28X9-15	
	3.3	Tyre size	rear		18x7-8	18x7-8	6.5-10	6.5-10	6.5-10	
	3.5	Number of wheels (x = driven)	front/rear		2X/2	2X/2	2X/2	2X/2	2X/2	
	3.6	Track width	front	b ₁₀	mm	1040	1040	1030	1030	1030
Basic dimensions	3.7	Track width	rear	b ₁₁	mm	950	950	953	953	953
	4.1	Tilt of mast	front/rear	α/β	°	6/10	6/10	6/10	6/10	6/10
	4.2	Height of mast	mast retracted	h ₁	mm	2068	2068	2137	2137	2137
	4.3	Free lift		h ₂	mm	150	150	150	150	150
	4.4	Lift		h ₃	mm	3000	3000	3000	3000	3000
	4.5	Height of mast	mast extended	h ₄	mm	3995	3995	4045	4045	4045
	4.7	Height to top of overhead guard (cab)		h ₆	mm	2150	2150	2230	2230	2230
	4.8	Seat height rel. to SIP		h ₇	mm	1167	1174	1238	1238	1238
	4.12	Coupling height		h ₁₀	mm	660	660	705	705	705
	4.19	Total length		l ₁	mm	3420	3320	3667	3667	3738
	4.20	Length including fork backs		l ₂	mm	2420	2320	2667	2667	2738
	4.21	Total width		b ₁ /b ₂	mm	1265	1265	1268	1268	1268
	4.22	Fork dimensions ISO 2331		s/e/l	mm	45/100/1000	45/100/1000	45/122/1000	45/122/1000	50/150/1000
	4.23	Fork carriage ISO 2338, class/form A, B				2A	2A	3A	3A	3A
	4.24	Fork carriage width		b ₃	mm	1040	1040	1100	1100	1100
	4.31	Ground clearance below mast, laden		m ₁	mm	102	102	141	141	137
	4.32	Ground clearance, centre of wheel base		m ₂	mm	120	120	168	168	165
	4.33	Working aisle width with 1000 x 1200 pallet crossways		A _{st}	mm	3760	3660	4039	4039	4109
	4.34	Working aisle width with 800 x 1200 pallet lengthways		A _{st}	mm	3960	3860	4239	4239	4309
	4.35	Turning radius		W _a	mm	2096	1996	2330	2330	2400
4.36	Minimum pivot point distance		b ₁₃	mm	582	553	672	672	672	
Performance data	5.1	Travel speed	laden/unladen	km/h	15/15	15/15	15/15	15/15	15/15	
	5.2	Lifting speed	laden/unladen	m/s	0.28/0.45	0.28/0.45	0.40/0.44	0.40/0.44	0.37/0.44	
	5.3	Lowering speed	laden/unladen	m/s	0.43/0.47	0.43/0.47	0.40/0.44	0.40/0.44	0.37/0.44	
	5.5	Drawbar pull	laden/unladen	N	2710/3150	2730/3180	2630/3180	2630/3180	2500/3110	
	5.6	Max. drawbar pull	laden/unladen	N	11700/9500	11700/7800	14500/14000	14500/14000	14380/13900	
	5.7	Gradeability	laden/unladen	%	7.7/13.8	8.2/14.5	7.6/13.4	7.6/13.4	6.6/12.3	
	5.8	Max. gradeability	laden/unladen	%	18/20	18/20	18/20	18/20	16/20	
	5.9	Acceleration time 15 m		s	6.3/5.5	6.3/5.5	6.7/5.6	6.7/5.6	6.9/5.7	
	5.10	Service brake			Mechanical/hydraulic	Mechanical/hydraulic	Mechanical/hydraulic	Mechanical/hydraulic	Mechanical/hydraulic	
	Electric engine	6.1	Drive motor, rating S2 60 min		kW	10.2	10.2	13.6	13.6	13.6
6.2		Lifting motor, rating at S3 15%		kW	11.5	11.5	21	21	21	
6.4		Battery voltage	U	V	80	80	80	80	80	
6.4.1		Battery capacity K _S		Ah	360	277	500	412	500	
6.5		Battery weight		kg	990	230	1470	340	1470	
6.6		Energy consumption as per DIN EN 16796		kWh/h	6.4	6.4	6.9	6.9	7.5	
6.7		Handling capacity		t/h	152	152	205	205	220	
6.8		Energy consumption at handling capacity		t/kWh	23.3	23.3	31.1	31.1	28.4	
Misc.	10.1	Operating pressure for attachments		bar	170	170	185	185	200	
	10.2	Oil volume for attachments		l/min	24	24	30	30	30	
	10.7	Sound pressure level L _{pA2} (driver's seat)		dB(A)	65	65	68	68	68	

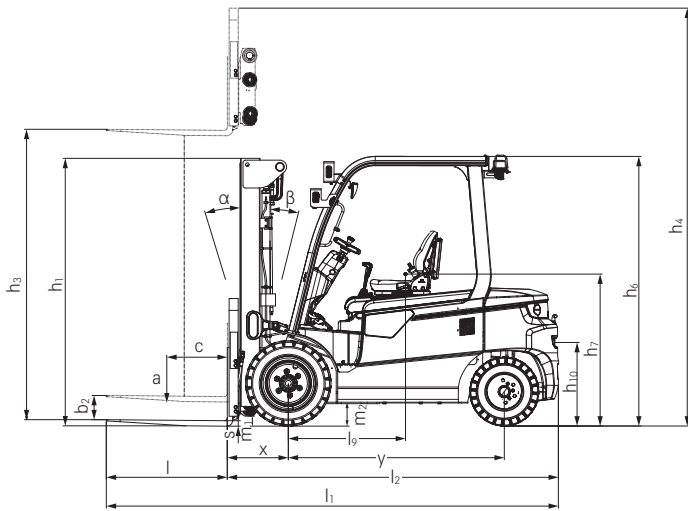
RCE Electric Forklift Truck
 Technical Drawings



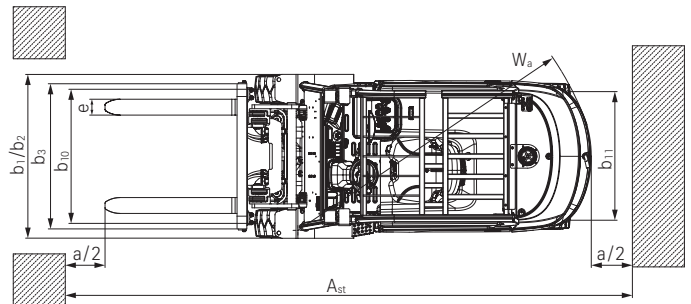
RCE 25/RCE 25 Li-Ion side view



RCE 25/RCE 25 Li-Ion top view



RCE 30-35/RCE 30-35 Li-Ion side view

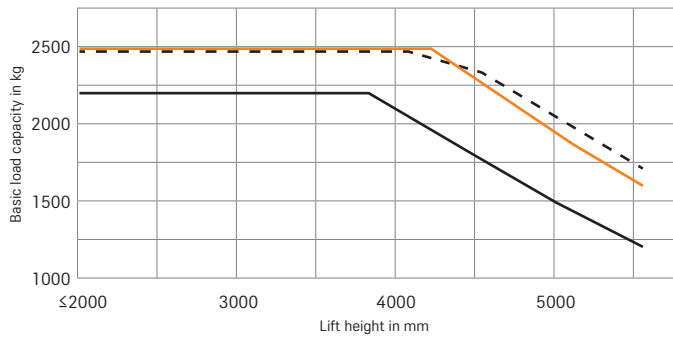


RCE 30-35/RCE 30-35 Li-Ion top view

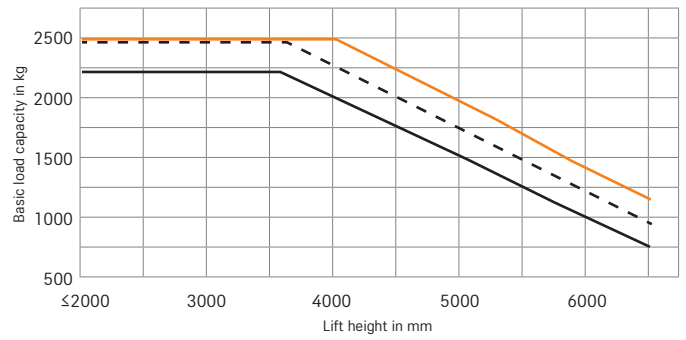
RCE Electric Forklift Truck

Basic Load Capacities

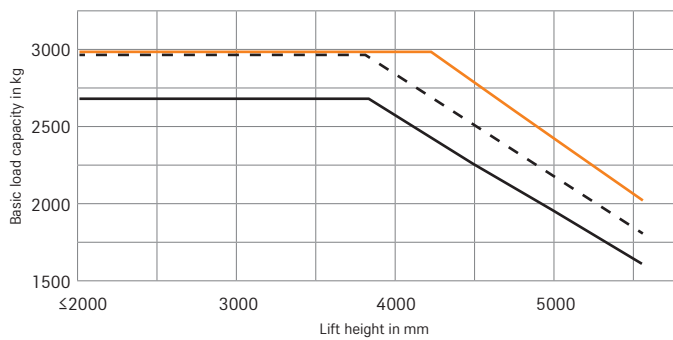
RCE 25/RCE 25 Li-Ion
Telescopic/HiLo mast - superelastic tyres



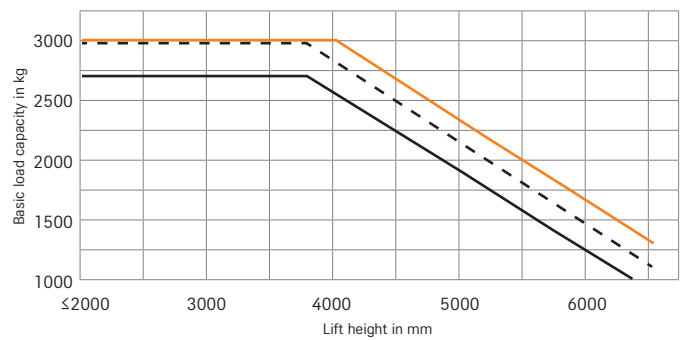
RCE 25/RCE 25 Li-Ion
Triplex mast - superelastic tyres



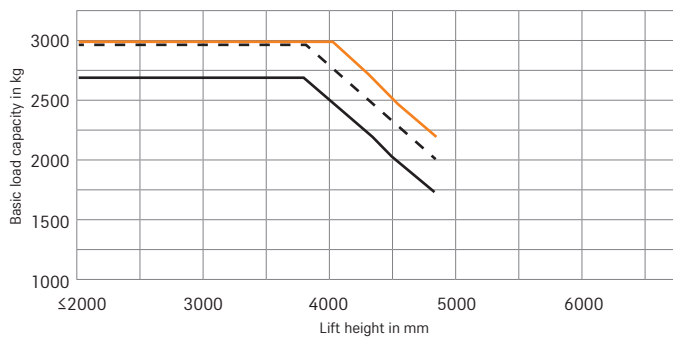
RCE 30/RCE 30 Li-Ion
Telescopic/HiLo mast - superelastic tyres



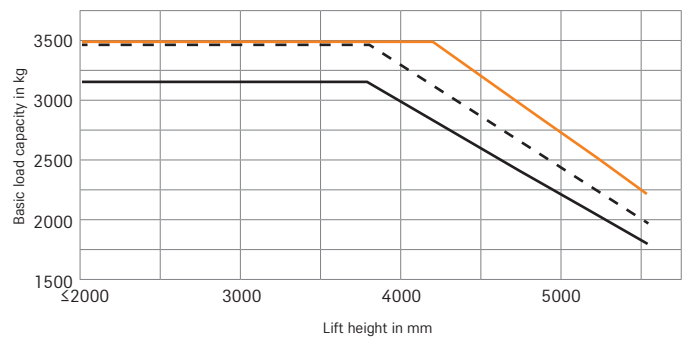
RCE 30/RCE 30 Li-Ion
Triplex mast - superelastic tyres



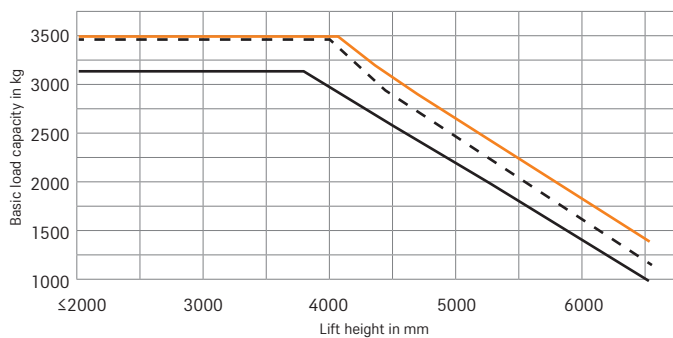
RCE 30/RCE 30 Li-Ion
Triplex mast 4800 mm - superelastic tyres



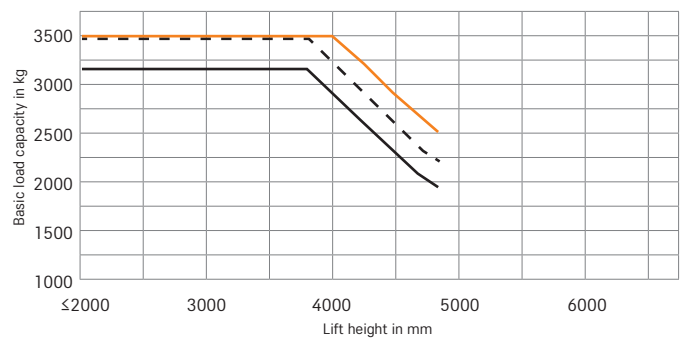
RCE 35/RCE 35 Li-Ion
Telescopic/HiLo mast - superelastic tyres



RCE 35/RCE 35 Li-Ion
Triplex mast - superelastic tyres



RCE 35/RCE 35 Li-Ion
Triplex mast 4800 mm - superelastic tyres



— Standard fork carriage - - - Integrated side shifter — Fitted side shifter
Values may vary depending on the truck equipment.

RCE Electric Forklift Truck
Mast Tables



			Telescopic mast								HiLo mast					Triplex mast								
			3000	3300	3500	4000	4500	5000	5500	3000	3300	3500	4000	4500	4100	4350	4650	4850	5000	5500	6000	6500		
RCE 25/RCE 25 Li-Ion	Nominal lift	h ₃	mm	3000	3300	3500	4000	4500	5000	5500	3000	3300	3500	4000	4500	4100	4350	4650	4850	5000	5500	6000	6500	
	Height	h ₁	mm	2057	2207	2307	2607	2857	3107	3407	2023	2173	2273	2573	2823	1973	2073	2173	2273	2323	2573	2823	3023	
	Free lift	h ₂	mm	150	150	150	150	150	150	150	1385	1535	1635	1935	2185	1335	1435	1535	1635	1685	1935	2185	2385	
	Free lift with load backrest	h ₂	mm								990	1140	1240	1540	1790	940	1040	1140	1240	1290	1540	1790	1990	
	Height, mast extended	h ₄	mm	3639	3939	4139	4639	5139	5639	6139	3639	3939	4139	4639	5139	4739	4989	5289	5489	5639	6139	6639	7139	
	Height, mast extended, with load backrest	h ₄	mm	4045	4345	4545	5045	5545	6045	6545	4045	4345	4545	5045	5545	5145	5395	5695	5895	6045	6545	7045	7545	
	Tilt angle forwards	α	°				6							6						6				
	Tilt angle backwards	β	°			10			6.5				10		6.5					6.5				
	Fork lock-in position centre-centre		mm			124/280/436/592/748/904							124/280/436/592/748/904							124/280/436/592/748/904				
	Fork lock-in position centre-centre (fitted side shifter)		mm			160/330/500/670/840							160/330/500/670/840							160/330/500/670/840				
	Tyres	front/rear				23X9-10/ 180/70-8							23X9-10/ 180/70-8							23X9-10/ 180/70-8				
	Track	front/rear	mm			1040/950							1040/950							1040/950				
	Maximum width		mm			1265							1265							1265				
	RCE 30-35/RCE 30-35 Li-Ion	Nominal lift	h ₃	mm	3000	3250	3500	4000	4500	5000	5500	3000	3300	3500	4000	4500	4350	4500	4650	4800	5000	5500	6000	6500
Height		h ₁	mm	2137	2237	2437	2737	2987	3237	3487	2102	2302	2402	2702	2952	2152	2202	2202	2202	2402	2652	2902	3102	
Free lift		h ₂	mm	150	150	150	150	150	150	150	1353	1553	1653	1953	2203	1403	1453	1453	1453	1653	1903	2153	2353	
Free lift with load backrest		h ₂	mm								1053	1253	1353	1653	1903	1103	1153	1153	1153	1353	1603	1853	2053	
Height, mast extended		h ₄	mm	3715	3965	4215	4715	5215	5715	6215	3752	4052	4242	4752	5252	5102	5252	5402	5552	5752	6252	6752	7252	
Height, mast extended, with load backrest		h ₄	mm	4045	4295	4545	5045	5545	6045	6545	4045	4545	4545	5045	5545	5395	5545	5695	5845	6045	6545	7045	7545	
Tilt angle forwards		α	°				6							6						6				
Tilt angle backwards		β	°			10		6					10		6					6				
Fork lock-in position centre-centre			mm			144/348/552/756/960							144/348/552/756/960							144/348/552/756/960				
Fork lock-in position centre-centre (fitted side shifter)			mm			160/350/540/730/920							160/350/540/730/920							160/350/540/730/920				
Tyres		front/rear				28X9-15/ 6.5-10							28X9-15/ 6.5-10							28X9-15/ 6.5-10				
Track		front/rear	mm			1030/953							1030/953							1030/953				
Maximum width			mm			1268							1268							1268				



RCE Electric Forklift Truck Detailed Photos



Safe and efficient: the RCE 25 impresses with a good all-round visibility in all directions



Charging made easy: the maintenance-free Li-Ion version with lateral access for fast charging



Flexible and comfortable: the operator's seat and steering column are infinitely adjustable, so that the cab can be quickly and easily adjusted for operators of different heights



Keep everything safely in sight: the slim triplex mast allows for optimum visibility and lifts loads to heights of up to 6.5 metres



The RCE has a spacious footwell, which ensures an ergonomic seating position and allows for easy access



Everything at a glance: all relevant information is compiled in an easily legible format on the large colour display



Good thinking: the elements of the STILL hydraulic operation are arranged so that they are convenient to use even when wearing work gloves



Thanks to the compact STILL charging station, decentralised charging of the battery is also possible

RCE Electric Forklift Truck
Does its job. Period.





Simply easy

- Efficient, fatigue-free operation thanks to the ergonomically and intuitively designed operator's cab, where all control elements are in the field of vision and can be reached easily
- Ergonomic leg position and plenty of room to move in the spacious footwell
- Precise load handling and sensitive steering thanks to the intuitive single-pedal operation and the tried-and-tested STILL multi-lever hydraulics operation
- Unobstructed visibility for efficiency and safety: large windows on all sides and narrow rear overhead guard bars make it possible to keep an eye on everything from the operator's seat
- High level of handling performance and safety thanks to the large colour display, which clearly displays important information such as driving direction, battery level and driving programme
- Comfortable in every direction: the rear grab handle with integrated horn button ensures optimum safety and an ergonomic posture even when reversing



Simply powerful

- Efficiency in the warehouse: the RCE/RCE Li-Ion can lift up to 3.5 tonnes with a load centre of 500 mm and particularly economical energy consumption
- Impressive goods handling thanks to powerful, low maintenance motors, a lifting height of up to 6.5 metres, as well as a maximum driving speed of 15 km/h – all with excellent manoeuvrability
- Powerful and efficient even in tough environments thanks to front-wheel drive and encapsulated, maintenance-free 80 V AC drive motor
- Robust, long-lasting and low-maintenance: tough materials are used for exposed components (steel instead of plastic), and there are additional covers for sensitive elements such as lights or lamps
- Also ideally suited to outdoor use thanks to high ground clearance and an optional closed operator's cab for reliable protection against harsh weather conditions



Simply safe

- Safe load handling thanks to bend-proof and torsion-resistant mast profiles
- High stability due to the truck's low centre of gravity
- Safe driving with the optional driver assistance function Curve Speed Control
- Reliable roll-away protection due to the mechanical, foot-activated parking brake
- Comfortable getting on and off thanks to the grab handle and non-slip step edges
- See and be seen: the RCE/RCE Li-Ion can optionally be equipped with further safety features, including panoramic rear-view mirrors, glass roof, sun visor or Safety Light



Simply flexible

- Individual adjustment of the workplace thanks to three spacious storage areas and an infinitely adjustable steering column
- Driver comfort and ergonomic working: the workstation can be flexibly adjusted to different operating conditions
- Safe and situational load handling with the sensitive multi-lever hydraulics operation
- Convenient interim charging at any time with the lateral access for quick charging on the lithium-ion version



Simply connected

- Fast service analysis and parametrisation of settings thanks to CAN bus interface



RCE Electric Forklift Truck

Does its job. Period.

The way to work: intuitive and easy to operate thanks to an ergonomic seat, spacious footwell and 4.3" display

Safety STILL style: a high safety standard and good all-round visibility ensure optimum operator safety and less damage to goods

Charging made easy: no maintenance and a longer battery life with the lithium-ion version



Whenever you need to get a job done, the new RCE electric forklift truck is there when you need it. Occasional transport and stacking tasks either indoors or outdoors are just its thing. This forklift truck has everything that makes a solid helper: power, robustness, efficiency. With its high-performance AC motor, any task is completed swiftly. Good all-round visibility allows you to transport your goods easily and safely – and, if you wish, with automatically adjusted cornering speed, which further increases safety during operation. The RCE lithium-ion

version also features a quick-charge access, which enables fast and flexible charging and interim charging anywhere, at any time. Even purchasing it is easy for you: The RCE is available at short notice, can be ordered online and is available with three pre-configured equipment packages. All of this at an attractive price with the quality and service from STILL.

So, get your hands on it.

Equipment Variants



		RCE 25/30/35	RCE 25/30/35 Li-Ion
	Operating costs kept low thanks to low energy consumption and long service intervals	●	●
	Weather-protected or full cab	○	○
Operator's cab	Tinted front windscreen, rear and roof windows made of either green-tinted or Makrolon laminated safety glass, plus windscreen wiper and wash system	○	○
	Built-in storage and cup holder	●	●
	Splash-proof operating unit featuring display, function buttons and menu navigation	●	●
	MSG 65 Grammer seat with leatherette cover	●	●
	Seat with textile cover, height-adjustable back extension	○	○
	Grab handle on front of protected roof	●	●
	Grab handle on back of protective roof with horn	○	○
	High-performance 1000 W electric heating incl. defrosting blaster	○	○
	Telescopic or triplex free view mast	○	○
Mast	Load backrest	○	○
	Fork wear protection	○	○
Tyres	Superelastic, single tyres, SIT system	●	●
	Superelastic, natural coloured, single tyres, SIT system	○	○
Hydraulics	Multi-lever operation	●	●
	Multi-lever operation with clamp release	●	●
Drive	Maintenance-free drives for driving, steering and lifting; components enclosed to protect against dust and moisture	●	●
	Lithium-ion battery	—	●
	Lateral quick-charge access	—	●
Brake	Ergonomic, foot-operated parking brake	●	●
	Energy recovery when braking	●	●
Safety	Low centre of gravity and steering axle with high self-aligning bearing for optimum safety	●	●
	EasyBelt restraint system for quick and safe fastening and unfastening	○	○
	Headlights and LED lighting performance	○	○
	Speed limiter can be adjusted by service	○	○
	Safety Light warning device	○	○
	Curve Speed Control	●	●
	Panoramic mirror	○	○
	Intelligent seat belt control	●	●
Safety Zone Light: warning light bars to the left and right of the truck	○	○	

● Standard ○ Option — Not available



STILL GmbH
Berzeliusstr. 10
22113 Hamburg
Germany

Tel.: +49 40 73 39 20 00

Fax: +49 40 73 39 20 01

info@still.de

For further information please visit

www.still.eu

STILL is certified in the following areas: Quality management, occupational safety, environmental protection and energy management.



first in intralogistics