

# ECH 12C/15C, ECH 12 and ECH 15 Technical Data

## Low Lift Pallet Trucks

---

[ECH 12C/Li-Ion](#)

[ECH 15C/Li-Ion](#)

[ECH 12/Li-Ion](#)

[ECH 15/Li-Ion](#)





|                 |                |   |                                |                                  |          | STILL                    | STILL                    | STILL                    | STILL                              |
|-----------------|----------------|---|--------------------------------|----------------------------------|----------|--------------------------|--------------------------|--------------------------|------------------------------------|
|                 |                |   |                                |                                  |          | ECH 12C                  | ECH 15C                  | ECH 12                   | ECH 15                             |
| Features        | 1.1            | Manufacturer  |                                |                                  |          | STILL                    | STILL                    | STILL                    | STILL                              |
|                 | 1.2            | Manufacturer's model designation  |                                |                                  |          | ECH 12C                  | ECH 15C                  | ECH 12                   | ECH 15                             |
|                 | 1.3            | Drive   |                                |                                  |          | Electric                 | Electric                 | Electric                 | Electric                           |
|                 | 1.4            | Operation   |                                |                                  |          | Pedestrian               | Pedestrian               | Pedestrian               | Pedestrian                         |
|                 | 1.5            | Load capacity/load  | Q                              | kg                               |          | 1200                     | 1500                     | 1200                     | 1500                               |
|                 | 1.6            | Load centre   | c                              | mm                               |          | 600                      | 600                      | 600                      | 600                                |
|                 | 1.8            | Load distance   | forks lifted/lowered           | x                                | mm       | 950/880                  | 950/880                  | 950/880                  | 946/883                            |
|                 | 1.9            | Wheel base  | y                              | mm                               |          | 1190 (1120) <sup>1</sup> | 1190 (1120) <sup>1</sup> | 1190 (1120) <sup>1</sup> | 1190 (1220) <sup>1</sup>           |
|                 | Weights        | 2.1   | Service weight (incl. battery) |                                  | kg       | 115                      | 115                      | 130                      | 180                                |
| 2.2             |                | Axle load, laden  | drive end/load end             | kg                               | 540/1075 | 540/1075                 | 420/910                  | 606/1074                 |                                    |
| 2.3             |                | Axle load, unladen  | drive end/load end             | kg                               | 100/15   | 100/15                   | 110/20                   | 145/35                   |                                    |
| Tyres/chassis   | 3.1            | Tyres   |                                |                                  |          | Polyurethane             | Polyurethane             | Polyurethane             | Polyurethane                       |
|                 | 3.2            | Tyre size   | drive end                      | mm                               |          | Ø 210 x 70               | Ø 210 x 70               | Ø 210 x 70               | Ø 210 x 70                         |
|                 | 3.3            | Tyre size   | load end                       | mm                               |          | Ø 80 x 60                | Ø 80 x 60                | Ø 80 x 60                | Ø 80 x 60 (Ø 74 x 88) <sup>1</sup> |
|                 | 3.4            | Support roller size   |                                | mm                               |          | -                        | -                        | -                        | Ø 74 x 30                          |
|                 | 3.5            | Number of wheels (x = driven)   | drive end/load end             |                                  |          | 1x/2 (1x/4) <sup>2</sup> | 1x/2 (1x/4) <sup>2</sup> | 1x/2 (1x/4) <sup>2</sup> | 1x 2/4 (1x 2/2) <sup>2</sup>       |
|                 | 3.6            | Track width   | drive end/load end             | b <sub>10</sub> /b <sub>11</sub> | mm       | 410 (535)                | 410 (535)                | -                        | -                                  |
| Dimensions      | 4.4            | Lift  |                                | h <sub>3</sub>                   | mm       | 115                      | 115                      | 110                      | 115                                |
|                 | 4.9            | Tiller handle height in driving position  |                                | h <sub>14</sub>                  | mm       | 750/1190                 | 750/1190                 | 720/1190                 | 700/1200                           |
|                 | 4.15           | Fork height, lowered  |                                | h <sub>13</sub>                  | mm       | 80                       | 80                       | 80                       | 80                                 |
|                 | 4.19           | Overall length  |                                | l <sub>1</sub>                   | mm       | 1550                     | 1550                     | 1540                     | 1550                               |
|                 | 4.20           | Length including fork backs   |                                | l <sub>2</sub>                   | mm       | 400                      | 400                      | 390                      | 400                                |
|                 | 4.21           | Total width   |                                | b <sub>1</sub>                   | mm       | 560 (685) <sup>1</sup>   | 560 (685) <sup>1</sup>   | 560 (685)                | 620 (705) <sup>1</sup>             |
|                 | 4.22           | Fork dimensions   | DIN ISO 2331                   | s/e/l                            | mm       | 50/150/1150              | 50/150/1150              | 53/150/1150              | 50/150/1150                        |
|                 | 4.25           | Overall fork width  | min./max.                      | b <sub>5</sub>                   | mm       | 560 (685)                | 560 (685)                | 560 (685) <sup>1</sup>   | 540 (685)                          |
|                 | 4.32           | Ground clearance, centre of wheel base  |                                | m <sub>2</sub>                   | mm       | 30                       | 30                       | 27                       | 30                                 |
|                 | 4.33           | Working aisle width with 1000 x 1200 pallet crosswise                                     |                                | A <sub>st</sub>                  | mm       | 2193                     | 2193                     | 2193                     | 2193                               |
|                 | 4.34           | Working aisle width with 800 x 1200 pallet lengthways (b <sub>12</sub> x l <sub>6</sub> ) |                                | A <sub>st</sub>                  | mm       | 2062                     | 2062                     | 2062                     | 2046                               |
| 4.35            | Turning radius |   | W <sub>a</sub>                 | mm                               | 1390     | 1390                     | 1390                     | 1390                     |                                    |
| Performance     | 5.1            | Travel speed  | laden/unladen                  | km/h                             |          | 4/4.5                    | 4/4.5                    | 4.0/4.5                  | 5.0/5.5                            |
|                 | 5.2            | Lifting speed   | laden/unladen                  | m/s                              |          | 0.017/0.024              | 0.017/0.024              | 0.02/0.025               | 0.028/0.031                        |
|                 | 5.3            | Lowering speed  | laden/unladen                  | m/s                              |          | 0.09/0.06                | 0.09/0.06                | 0.06/0.03                | 0.068/0.043                        |
|                 | 5.8            | Max. gradeability kB 5  | laden/unladen                  | %                                |          | 6/16                     | 6/16                     | 4/10                     | 8/20                               |
|                 | 5.10           | Service brake   |                                |                                  |          | Electromagnetic          | Electromagnetic          | Electromagnetic          | Electromagnetic                    |
| Electric engine | 6.1            | Drive motor, rating S2 = 60 min   |                                | kW                               |          | 0.75                     | 0.75                     | 0.65                     | 0.9                                |
|                 | 6.2            | Lift motor, rating at S3  |                                | kW                               |          | 0.5                      | 0.5                      | 0.5                      | 0.8                                |
|                 | 6.3            | Battery according to DIN 43531/35/36; A, B, C, no   |                                |                                  |          | Li-Ion                   | Li-Ion                   | Li-Ion                   | Li-Ion                             |
|                 | 6.4            | Battery voltage/rated capacity K <sub>s</sub>   |                                | V/Ah                             |          | 24/20                    | 24/20                    | 24/20                    | 48/20-30                           |
|                 | 6.5            | Battery weight ±5% (depends on make)  |                                | kg                               |          | 5                        | 5                        | 3.7 - 5.0                | 10.5                               |
|                 | 6.6            | Energy consumption according to VDI cycle   |                                | kWh/h                            |          | 0.274                    | 0.274                    | 0.25                     | 0.239                              |
| Misc.           | 8.1            | Drive control   |                                |                                  |          | DC control               | DC control               | DC control               | DC control                         |
|                 | 8.4            | Sound pressure level at driver's ear  |                                | dB(A)                            |          | <74                      | <74                      | <74                      | <70                                |

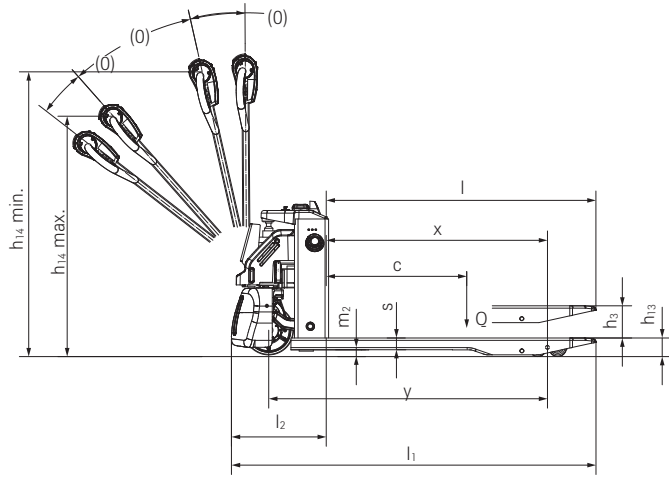
<sup>1</sup> For an overall fork width of 685 mm

<sup>2</sup> With tandem rollers

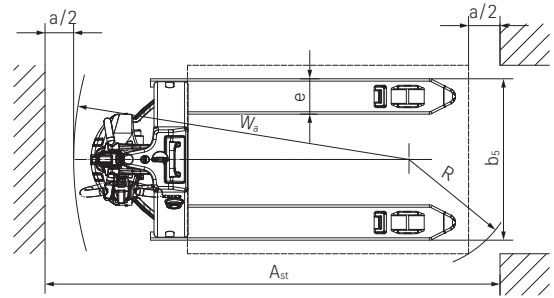
### Battery power and charging times

|                     | Batteries |         |            |         |                | Charging time    |
|---------------------|-----------|---------|------------|---------|----------------|------------------|
|                     | Capacity  | Voltage | Technology | Weight  | Operating time | Standard charger |
| ECH 12C/<br>ECH 15C | 20 Ah     | 24 V    | Li-Ion     | 5 kg    | Up to 120 min  | 2 h              |
|                     | 20 Ah     | 24 V    | Li-Ion     | 5 kg    | Up to 120 min  | 2 h              |
| ECH 15              | 20 Ah     | 48 V    | Li-Ion     | 10.5 kg | Up to 200 min  | 3 h              |
|                     | 30 Ah     | 48 V    | Li-Ion     | 10.5 kg | Up to 300 min  | 3 h              |

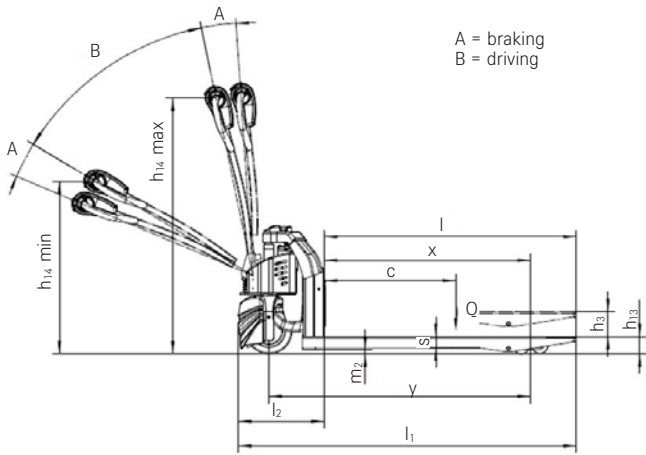
ECH 12C/15C, ECH 12 and ECH 15 Low Lift Pallet Trucks  
 Technical Drawings



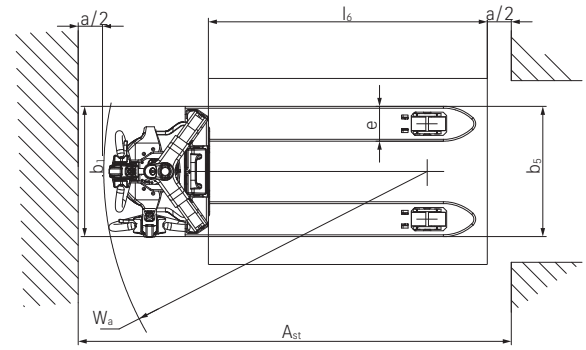
ECH 12C/15C side view



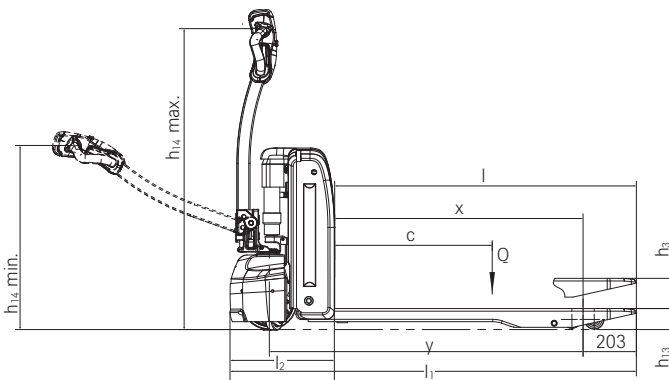
ECH 12C/15C top view



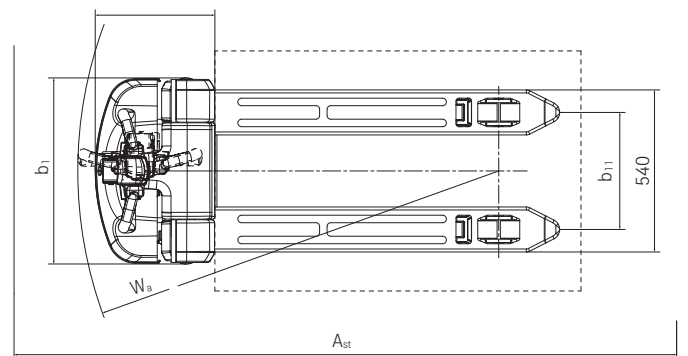
ECH 12 side view



ECH 12 top view



ECH 15 side view



ECH 15 top view

## ECH 12C and ECH 15C Low Lift Pallet Trucks Innovation in Motion

Smart alternative to hand pallet trucks: Compact truck dimensions, low service weight, maintenance-free lithium-ion battery

Ready for use at all times thanks to the lithium-ion battery, which can be quickly and easily charged or interim charged from a power socket via Plug & Play

Safe and efficient even in confined spaces: The creep speed switch enables safe manoeuvring even with the tiller in an upright position



### ECH 12C/ECH 15C

The ECH 12C/ECH 15C is the ideal alternative to the hand pallet trucks. Its compact dimensions and low service weight of just 115 kilos make it the perfect partner for horizontal freight transport over short, level routes and in confined spaces. Whether in goods lifts, on sales floors or in racking aisles, the ECH 12C/15C is light, agile and safe, and, thanks to the creep speed switch, extremely manoeuvrable even with the tiller in an upright position. All this ensures its high efficiency and

flexibility even in areas with little space for manoeuvring. In addition, the lithium-ion battery provides maximum availability, as the battery can be charged and interim charged at any time at a power socket via the external charger. The ECH 12C/15C also offers a high level of user convenience. Thanks to the electric drive and the ergonomic tiller, loads up to 1,200/1,500 kg can be moved without fatiguing the operator, while conserving power in the process.



Flexible use even in freight lifts or on mezzanine floors thanks to the low service weight



Unrivalled availability thanks to lithium-ion battery for fast interim charging



The low-level chassis and sturdy frame construction ensure particularly reliable and safe goods transport



Agile, safe and manoeuvrable even in confined spaces. Thanks to the compact size and integrated creep speed switch

## ECH 12 Low Lift Pallet Truck Innovation in Motion

Unrivalled compactness: Small size allows for operation even in the most confined spaces

Li-Ion battery guarantees ultimate availability and flexibility

Innovative powerhouse: Effective goods handling thanks to a lifting capacity of up to 1,200 kg



### ECH 12

STILL is setting new set standards in pallet truck productivity and efficiency with the ECH 12: no need for a hand pallet truck anymore – with a lifting capacity of up to 1,200 kg, heavy loads can be transported fatigue-free with the ECH 12. Electric lifting and driving noticeably relieves stress on the operator, just as the ergonomic design of the tiller head enables a natural hand position during operation. The compact low lift pallet truck is powered by innovative Li-Ion technology, which is particularly maintenance free and reliable. The Li-Ion battery is very easy to change and can be easily inserted into the forklift truck for

ultimate availability. The ECH 12 is unrivalled in terms of compactness and manoeuvrability, and with a turning radius of just 1,390 mm it is right at home in narrow aisles and tight storage areas. The multi-function display integrated into the tiller keeps the operator informed at all times about the current battery charge levels, operating hours and provides operator information. The ECH 12 can thus master a wide variety of logistics tasks and proves itself to be a real all-rounder in the field of low lift pallet trucks.



Compact design of a hand pallet truck for working in confined spaces



Robust frame design and low chassis frame for maximum operator safety



Ultimate availability thanks to a Li-Ion battery with the option of fast interim charging



Everything in view at all times: The multi-function display provides information about operating hours, battery status and service information

ECH 12 Low Lift Pallet Truck  
Innovation in Motion



## ECH 15 Low Lift Pallet Truck

### Innovation in Motion

---

Ultimate availability and flexibility thanks to the Li-ion battery and built-in charger

Efficiency and ergonomics: The lifting capacity of up to 1,500 kg and electrically powered lifting and lowering make for quick and effortless goods handling

Compact dimensions, a deep-drawn chassis and additional support wheels ensure high levels of operational safety and stability even in the tightest of spaces



## ECH 15

---

The ECH 15 low lift pallet truck by STILL is an innovative, compact power package for diverse applications. The small and nimble assistant transports loads weighing up to 1,500 kg - while only weighing 180 kg itself. It is therefore ideal for many different applications, be it on mezzanines or in goods lifts as well as for transportation by lorry, especially when loading and unloading by lifting platform. Thanks to the standard support wheels the ECH 15 is stable in operation and

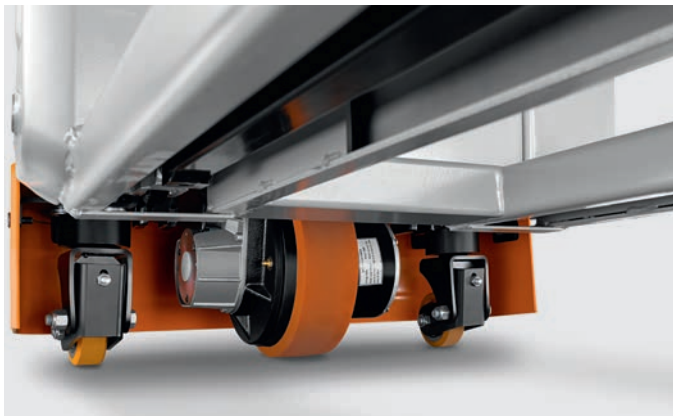
guarantees safe goods handling. The centrally arranged drive wheel and additional support wheels provide for great stability. The compact and deep-drawn chassis makes the ECH 15 resilient, durable and safe to operate. Thanks to its powerful, maintenance-free 48 V Li-ion battery and additional built-in charger, the ECH 15 is reliable and easy to use. The display also keeps the operator informed at all times about the current battery charge status and operating hours.



The low height of the pallet truck makes the fork tips easy to see



Always available: The integrated charger with Li-ion technology allows for convenient interim charging



Standard support wheels provide improved lateral support



Compact dimensions allow for flexible use even in confined spaces

ECH 15 Low Lift Pallet Truck  
Innovation in Motion







### Simply easy

---

- Easy and fatigue-free manoeuvring thanks to electric drive and lift motor
- Fatigue-free operation: Easy-grip tiller for left and right-handed operators
- Real-time information: The multifunction display on the ECH 12 and ECH 15 shows the battery charge status and operating hours; the ECH 12C/15C's battery status is shown by an LED light (green, yellow, red)



### Simply powerful

---

- Impressive goods handling: Lifting capacity of 1,200 to 1,500 kg
- Always ready for use: Additional replacement battery maximises availability
- Durable: Sturdy frame construction
- High performance: Powerful and low-maintenance drive motor



### Simply safe

---

- Safe operation: Optimally dimensioned and positioned impact plate
- Improved operator health: No exhaust emissions thanks to maintenance-free battery technology



### Simply flexible

---

- Suitable for almost any application thanks to compact dimensions
- Different fork dimensions available for different load carriers



### Simply connected

---

- Seamless interaction: The li-ion batteries with battery management system interact with the truck

# Simply Efficient



## ECH 12C/15C, ECH 12 and ECH 15 Low Lift Pallet Trucks Equipment Variants



|         |   | ECH 12C/<br>ECH 15C | ECH 12 | ECH 15 |
|---------|---|---------------------|--------|--------|
| General | Powerful drive motor  | ●                   | ●      | ●      |
|         | Easy-grip tiller for ergonomic operation  | ●                   | ●      | ●      |
|         | Multifunction display   | —                   | ●      | ●      |
|         | LED lights for the battery charge status  | ●                   | —      | —      |
|         | Various fork sizes  | ●                   | ●      | ●      |
| Tyres   | Sturdy frame construction   | ●                   | ●      | ●      |
|         | Tyres for slippery floors   | —                   | ○      | ○      |
|         | Load roller tyres, single   | ●                   | ●      | ●      |
| Safety  | Load roller tyres, tandem   | ○                   | ○      | ○      |
|         | Easy-to-reach emergency stop button   | ●                   | ●      | ●      |
|         | Sensitive impact plate for high levels of operational safety in confined spaces | ●                   | ●      | ●      |
| Battery | Maintenance-free battery technology   | ●                   | ●      | ●      |
|         | Additional battery  | ○                   | ○      | ○      |
|         | External charger  | ●                   | ●      | ○      |
|         | Built-in charger for charging on-the-spot                                       | —                   | —      | ●      |
|         | Various types of mains plugs  | ○                   | ○      | ○      |

● Standard ○ Option — Not available



STILL GmbH  
Berzeliusstr. 10  
22113 Hamburg  
Germany  
Tel.: +49 40 73 39 20 00  
Fax: +49 40 73 39 20 01  
info@still.de

**For further information please visit**  
**[www.still.eu](http://www.still.eu)**

STILL is certified in the following areas: Quality management, occupational safety, environmental protection and energy management.



**first in intralogistics**